



INSPECTION AND INSTALLATION:

Upon receipt of the unit, inspect it for damage incurred during shipping. Also, verify that the ratings shown on the nameplate of the unit match the order specifications.

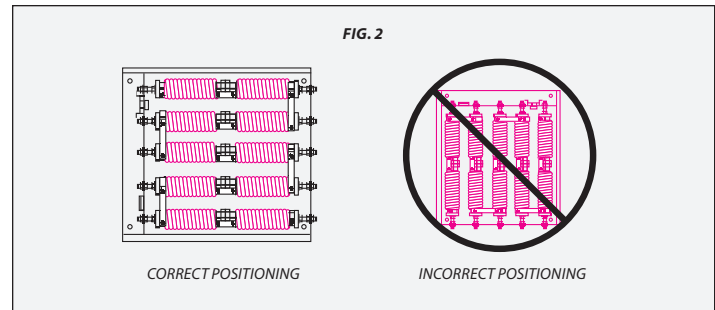
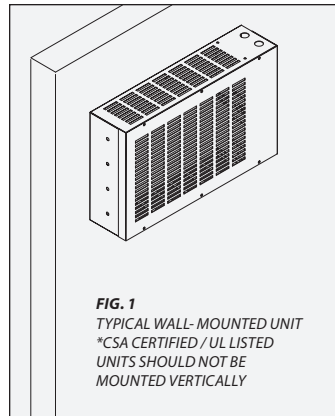
- Remove the screws attaching the cover to the unit. (Most units have four screws; larger units have six or more screws).

Consider verifying the ohm value of the unit with an ohmmeter at this time. It is also recommended that the continuity of the thermal switch be checked. Thermal switches are optional and available as normally open or normally closed depending on the order specification.

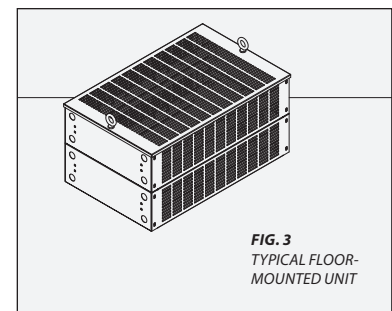
Do not use the unit if it is damaged or if the ratings are incorrect.

If the unit passes inspection, it is ready to be installed. Please note that installation should be performed by a qualified electrician per applicable industry codes and local regulations (Please refer to the latest NEC Handbook).

- Mounting holes can be found inside the enclosure or on optional legs. Units up to 28" wide, single-stacked, may be mounted vertically* (as shown in FIGURE 1) or horizontally.
- When mounting the enclosure, make sure resistor elements are horizontally positioned (see Figure 2). Enclosures less than 28" wide and UL Listed "HF" resistors should be fastened securely with 3/8" hardware.
- All larger units (wider than 28") and all CSA approved or UL listed units must be horizontally mounted as shown in FIGURE 3. These enclosures should be securely fastened using 1/2" hardware.
- After mounting, the unit is ready to be wired. For wire rating information, refer to the latest NEC handbook.
- Use UL Listed or UL Recognized crimp-on connectors or ring terminals.
- Terminal blocks are provided as an option, however if no terminal block is present, use high temperature rated wire to connect directly to the resistors.
- If a thermal switch is provided, it should be wired to the protective circuit of the drive.
- Also note that all enclosures feature several convenient conduit "knockouts."



TIGHTEN ALL ELECTRICAL CONNECTIONS IN ACCORDANCE WITH THE TORQUE VALUES PROVIDED IN THE TABLE BELOW. LOOSE CONNECTIONS ARE DANGEROUS AND A POTENTIAL SOURCE OF POWER RESISTOR FAILURES.



Recommendation Torque Values for Electrical Connections			
Hardware Size	IN-LBS	FT-LBS	Nm
#10-32	24	2.0	2.7
1/4"-20	72	6	8
5/16"-18	120	10	14

- Install the cover and secure with the screws provided. **TIGHTEN SCREWS!**

PLEASE NOTE:

Post Glover dynamic braking resistors should be checked periodically for loose connections and the accumulation of dust and dirt. Service the unit if necessary. When doing so, remove all power and make sure the unit has cooled and discharged all leftover voltage.

CAUTION: THE RESISTORS SHOULD NOT GLOW RED UNDER NORMAL OPERATING CONDITIONS! If the resistors glow red please contact Post Glover Resistors for assistance with the unit or for help in determining what design is appropriate for the given application.

CLEARANCE REQUIREMENTS

Six inches should be provided around the unit for adequate air ventilation. Minimum two foot clearance above the unit should be provided.