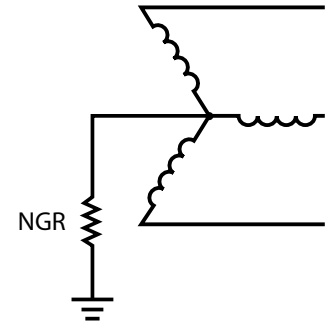


# Low Resistance Neutral Grounding Resistors



Low resistance grounding resistor systems protect power transformers and generators from damaging fault currents. Low resistance grounding of the neutral limits the ground fault current to a moderate level (typically 50 amps or more) in order to operate protective fault clearing relays. These devices are then able to quickly clear the fault, usually within a few seconds. The limited fault current and fast response time prevent over-heating and mechanical stress on conductors as well as:

- Limits damage to equipment
- Provides safety for personnel
- Prevents additional faults from occurring
- Localizes the fault



## Enclosures Engineered for Performance and Efficiency

Post Glover NGR assemblies are optimized for efficient manufacturing, cooling and protection using the most effective resistor element design. Available in indoor (NEMA 1), outdoor (NEMA 3R), seismically rated or custom designed for specific applications, the enclosure ensures adequate ventilation while protecting electrical components and personnel.

### Standard Features

- Solid Steel cross-kinked, one-piece top
- Lifting Eyes for easier handling
- Standoff Insulators
- Standard Bottom Cable Entry/Exit points
- Removable Covers for easy access

### Optional Features

- Top or Side-Mounted Exit & Entrance Bushing(s)
- Powder Coat Finish
- Stainless Steel Enclosure
- Elevating Stand
- Current Transformer and Junction Box
- Sensing Resistor
- UL/CSA Rated



Standard design with CT beneath the resistor to reduce overall footprint



Traditional enclosure designs are an available option to match/replace existing equipment or extended duty applications. Ask your Post Glover representative for more information.

Quick-Quote Form

Customer name: \_\_\_\_\_ Phone: \_\_\_\_\_  
 Quote requested by: \_\_\_\_\_ Fax: \_\_\_\_\_  
 Quote due: \_\_\_\_\_ Email: \_\_\_\_\_

Voltage, line-to-line: \_\_\_\_\_ volts Voltage, line-to-neutral: \_\_\_\_\_ volts  
 Fault current: \_\_\_\_\_ amps

Maximum duty:  10 seconds (standard)  60 seconds  Continuous  
 Other, please specify: \_\_\_\_\_

Enclosure:  Indoor  Outdoor  Other, specify: \_\_\_\_\_

Enclosure finish:  Mill galvanized (standard)  Stainless Steel, 304  Painted galvanized steel, ANSI- 61 Gray  
 Stainless Steel, 316  Painted galvanized steel, other Specify color: \_\_\_\_\_

Neutral connection:  Bottom cable entry (standard)  Top-mounted bushing  Side-mounted bushing

Ground connection:  Bottom cable entry (standard)  Top-mounted bushing  Side-mounted bushing

Accessories:  Elevating stand Height: \_\_\_\_\_  Current transformer Ratio: \_\_\_\_\_  Shorting terminal block in junction box for CT

Third Party certification:  None  UL  CSA

If matching equipment to existing on-site from a previous order, please indicate Serial Number: \_\_\_\_\_

Other requirements: \_\_\_\_\_

Please complete the form and either fax to (859) 283-2978 or email to [sales@postglover.com](mailto:sales@postglover.com)

