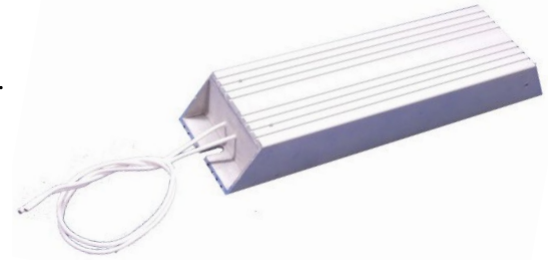


# Aluminum Case Resistors



Post Glover's hermetically sealed Aluminum Case Resistors can be used in any AC or DC power circuit and are most commonly used for light-duty braking of variable frequency drives, space heating and any other low wattage applications.

The compact size of this IP65 unit makes it ideal for an application where space is at a premium and moisture is a concern. This unit is designed for applications in the industrial automation, railway and energy markets.



## Electrical and Mechanical Ratings

### Sizes

Aluminum Case resistors are available in (4) standard sizes rated between 200 to 470 continuous watts per assembly, in either vertical or horizontal mounting configuration. The overall size of the case determines the wattage rating and can be varied to meet specific ratings. Units can be customized to any resistance value within the resistance ranges listed in the table on page 2.

### Leads

The standard lead length is 12".

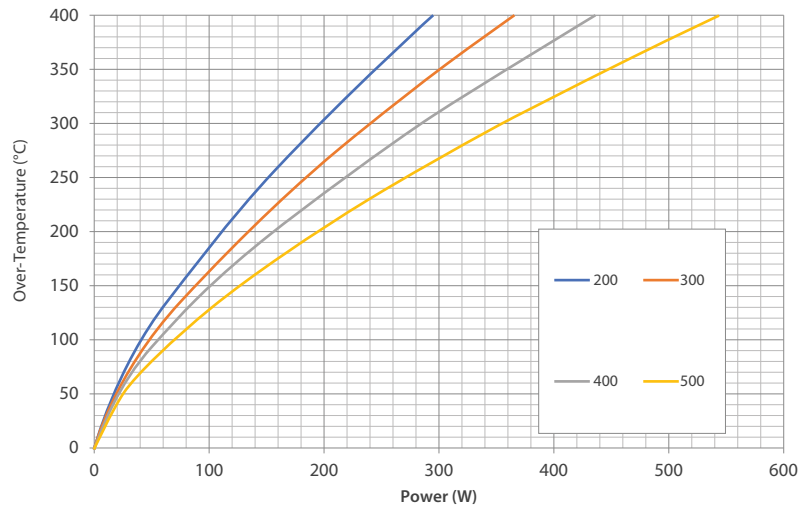
### Voltage Insulation

A standard Aluminum Case resistor is insulated for up to 1000 volts maximum.

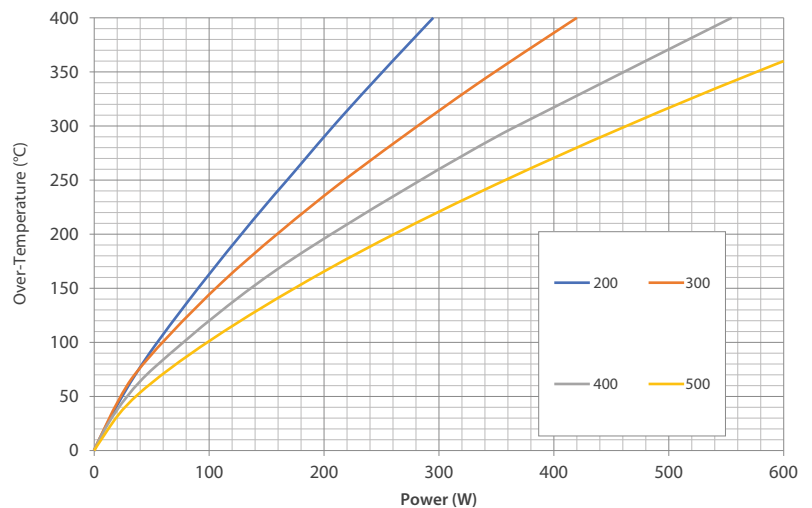
### Temperature

Standard ratings are based on ambient temperatures of 25°C, with a 300°C rise.

Power vs. Over-temperature (Horizontal)



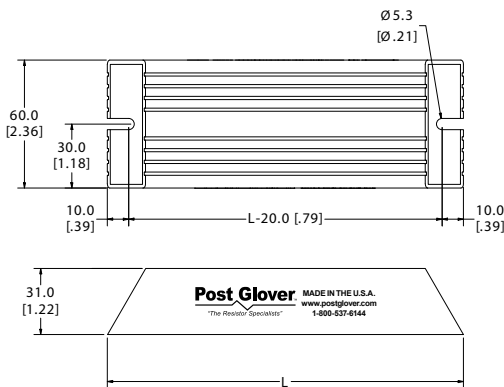
Power vs. Over-temperature (Vertical)



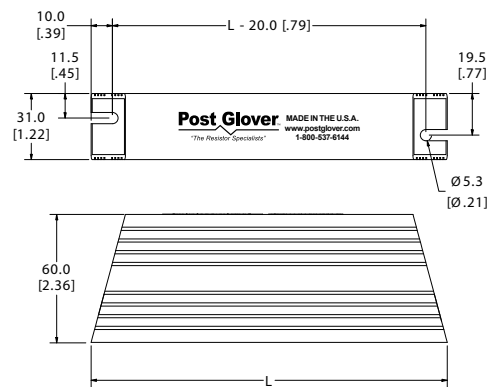
**DIMENSIONS**

Configuration	Model	Ohm Range	Rated Power (W)	Weight (Lb)	"L" (In)
Horizontal	RFP-H-200	1.0 – 220	200	1	6.6
	RFP-H-300	1.8 – 390	240	1.4	8.5
	RFP-H-400	2.7 – 560	300	1.7	10.5
	RFP-H-500	3.3 – 820	370	2.2	13.3
Vertical	RFP-V-200	1.0 – 220	200	1	6.6
	RFP-V-300	1.8 – 390	300	1.4	8.5
	RFP-V-400	2.7 – 560	400	1.7	10.5
	RFP-V-500	3.3 – 820	500	2.2	13.3

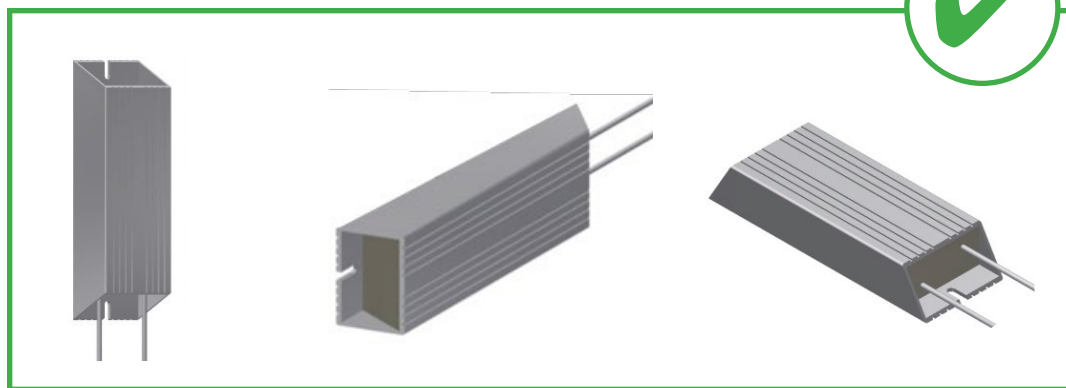
**Horizontal Configuration**



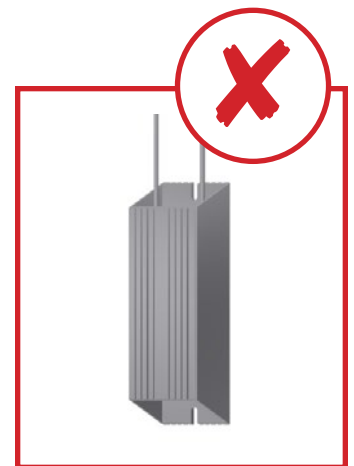
**Vertical Configuration**



**INSTALLATION**



**Acceptable Orientation**



**WARNING: Do not mount unit with leads pointing upwards.**