

NEUTRAL GROUNDING TRANSFORMERS INSTALLATION AND MAINTENANCE INSTRUCTIONS



Post Glover

"The Resistor Specialists"



4750 Olympic Blvd. • Erlanger, KY 41018 • USA
Phone: 800-537-6144 / 859-283-0778 • Fax: 859-283-2978
www.postglover.com

Serving the Electrical Industry Since 1892

NEUTRAL GROUNDING TRANSFORMERS INSTALLATION AND MAINTENANCE INSTRUCTIONS

Table of Contents

SECTION 1	Unpacking	3
1.1	Shipping	3
1.2	Receiving	3
SECTION 2	Installation	3
SECTION 3	Inspection.....	4
SECTION 4	Connection	4
4.1	Neutral Lead.....	5
4.2	Ground Lead	6
SECTION 5	Maintenance/Inspection	7



Post Glover

"The Resistor Specialists"



4750 Olympic Blvd. • Erlanger, KY 41018 • USA
Phone: 800-537-6144 / 859-283-0778 • Fax: 859-283-2978
www.postglover.com

Serving the Electrical Industry Since 1892

NEUTRAL GROUNDING TRANSFORMERS INSTALLATION AND MAINTENANCE INSTRUCTIONS

Section 1 – Unpacking

1.1 Shipping

Post Glover neutral grounding assemblies are placed in their normal mounting position onto a wooden skid and securely fastened to the skid with lag bolts. The units are then covered with plastic to protect the finish and to prevent dirt or moisture buildup that can occur during shipping or storage.

Wooden supports are used inside the enclosure to support the resistor banks and/or transformer. Finally, the units are skid-mounted.

All units are loaded by forklift into the enclosed van of a common carrier. At that point, it is the responsibility of the carrier to provide proper care in shipping and handling.

1.2 Receiving

Once received, the skid-mounted unit should be unloaded and moved by forklift. At this point, a preliminary inspection of the unit should be made to ensure proper handling was practiced during shipment. It is recommended that the unit remain on the skid until it reaches the job site to prevent possible damage during transfer.

All skid-mounted neutral grounding assemblies are suitable for prolonged storage. If the unit is to be stored, it should sit horizontally (as shipped). Never store the unit on the sides or top as this could result in damage to the bushings or insulators. Do not stack.

Section 2 – Installation

When the unit arrives at the job site, remove the lag bolts which fasten the resistor unit to the skid.

NOTE: It is recommended that all packing material within the enclosure remain intact until the unit is installed.

Top-mounted eye-bolts are provided for easy hoisting and placement by crane.

Post Glover neutral grounding assemblies can be mounted on a concrete pad or support stand near the transformer if the unit's size and weight permit. It is important that the enclosure be mounted horizontally (as shipped). This keeps the unit drip-proof, allows for adequate cooling, and prevents unnecessary strain on the support insulators.

The unit should be bolted to the mounting surface using the holes provided at the bottom of each enclosure leg. Expansion-type anchors are recommended for concrete pad mounting.

NOTE: The enclosure should always be securely grounded to prevent a shock hazard to personnel or wildlife.



4750 Olympic Blvd. • Erlanger, KY 41018 • USA
Phone: 800-537-6144 / 859-283-0778 • Fax: 859-283-2978
www.postglover.com

Serving the Electrical Industry Since 1892

NEUTRAL GROUNDING TRANSFORMERS INSTALLATION AND MAINTENANCE INSTRUCTIONS

Section 3 – Inspection

After the unit has been securely mounted and grounded, remove the front panel to allow inspection and wiring. The front panel can be identified by the Post Glover nameplate.

REMOVE ALL PACKING MATERIAL, IF ANY, USED TO PROTECT THE INSULATORS, RESISTOR BANKS AND TRANSFORMER DURING SHIPMENT.

NOTE: It is important that all packing material be removed from within the enclosure before energizing. *FAILURE TO REMOVE THIS MATERIAL MAY RESULT IN FIRE HAZARD.*

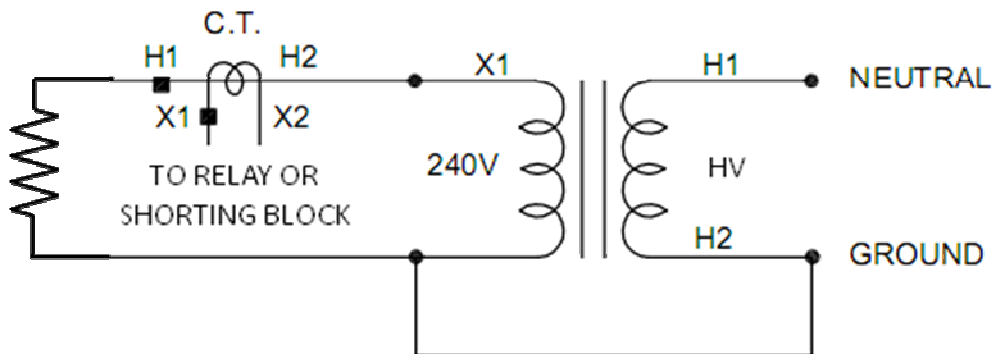
With all packing material removed, carefully inspect the inside of the unit for broken insulators, bushings and other parts that may have been damaged during shipment.

NOTE: If any damaged parts are found, contact the carrier immediately. *ENERGIZING THE UNIT WITH DEFECTIVE PARTS MAY DAMAGE THE RESISTOR AND CREATE A SHOCK HAZARD TO PERSONNEL.*

CHECK ALL ELECTRICAL CONNECTIONS TO ENSURE THAT THEY ARE TIGHT.

Section 4 – Connection

CONNECTION DIAGRAM



NEUTRAL GROUNDING TRANSFORMERS INSTALLATION AND MAINTENANCE INSTRUCTIONS

4.1 Neutral Lead

The neutral lead from the transformer or generator may be connected one of two ways depending upon the specific design:

1. The connection is made directly to a top-mounted entrance bushing. The bushing has a NEMA two-hole pad-type connector. (See Figure 1.)
2. With the cables entering via rigid conduit entering from the bottom of the enclosure, the neutral connection is made directly on the H1 terminal of the grounding transformer. A compression type lug or NEMA 2/4 hole pad is used for terminal connection. Alternately, the lug or terminal may be mounted on a stand-off insulator to simplify installation. Location and termination of the conduit is the customer's responsibility. (See Figure 2.)

Customer requested options and/or physical configurations may require unique termination methods, Consult the factory drawings for job-specific details.

One terminal from the resistor assembly is shorted to the transformer's H2 terminal. Check this connection for tightness and integrity before energization.

In all cases, the neutral terminal is tagged for easy identification and the proper connection is shown schematically on the drawing. *CHECK TO SEE THAT ALL CONNECTIONS ARE FIRMLY TIGHTENED.*

** CONSULT LOCAL AND NEC CODES FOR PROPER CABLE SIZING.*

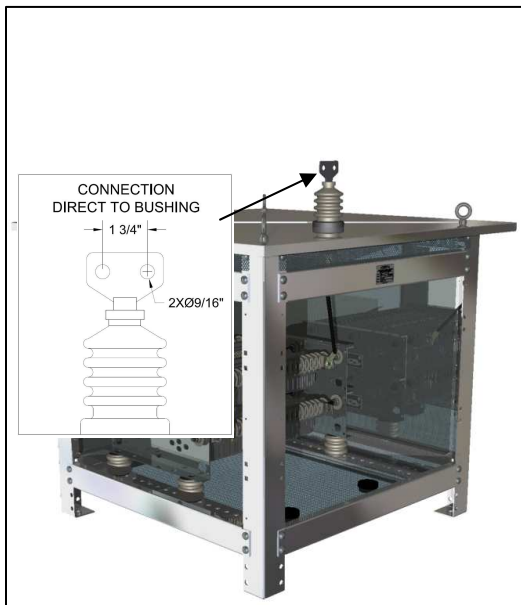


Figure 1: Bushing entry

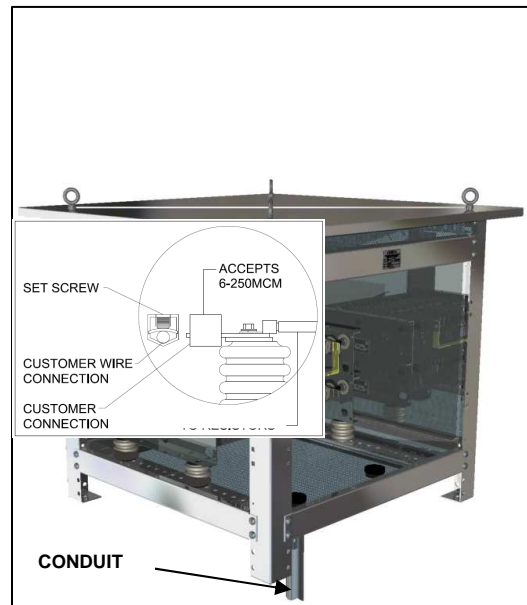


Figure 2: Bottom entry

NEUTRAL GROUNDING TRANSFORMERS INSTALLATION AND MAINTENANCE INSTRUCTIONS

4.2 Ground Lead

The ground lead from the H2 terminal of the transformer to ground may be connected one of two ways:

1. For assemblies with bottom entering cables, the connection is made directly to the transformer's H2 terminal inside the enclosure via rigid conduit. The ground terminal is tagged for easy identification. A compression-type lug (or 2/4 hole pad) is used for the terminal connection. Location and termination of conduit is the customer's responsibility. (See Figure 3.)
2. The connection is made directly to a top-mounted exit bushing. The bushing has a NEMA two-hole pad type connector. The bushing will be factory wired to the transformer terminal. (See Figure 4.)

In both cases, the ground terminal is tagged for easy identification and the proper connection is shown schematically on the drawing. **CHECK TO SEE THAT ALL CONNECTIONS ARE FIRMLY TIGHTENED.**

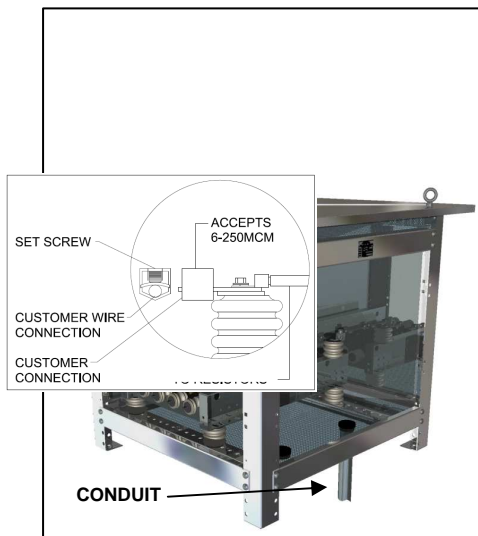


Figure 3: Bottom entry

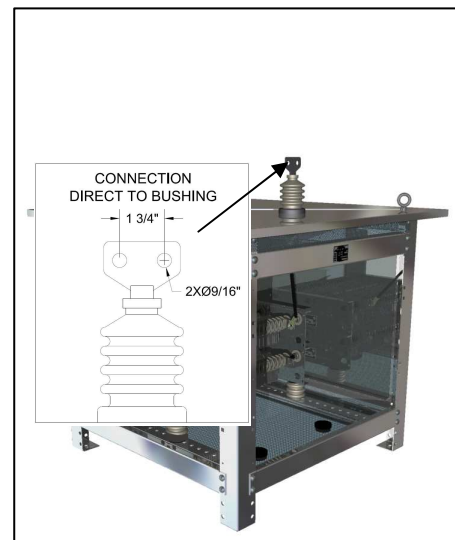


Figure 4: NEMA two-hole pad

NEUTRAL GROUNDING TRANSFORMERS INSTALLATION AND MAINTENANCE INSTRUCTIONS

Section 5 – Maintenance/Inspection

Normally, no maintenance is necessary on a neutral grounding resistor. However, periodic inspections for damage are needed to ensure that the resistor is still capable of protecting the system.

Damage may occur from lightening, storms, earthquakes, wildlife, overloads or extended service life. Basically, it is necessary to ensure that the resistive element has not burned open and that the element (including the incoming bushing) is still properly isolated from ground.

The following procedure is recommended for periodic field inspections:

1. De-energize the system being grounded and break the connection between the system, the neutral, and the grounding resistor. An isolation switch is sometimes available to break this connection. These precautions are recommended to prevent a shock hazard to maintenance personnel and to prevent the system from being operated without proper grounding.
2. Remove the front cover (which is on the same side as the nameplate) and the rear cover. This will allow for a visual inspection of all internal components.
3. Carefully check for cracked insulators or bushings. A MEGGER or HI-POT test is the most reliable method of ensuring that the porcelain insulation is still providing the necessary electrical isolation.
4. Check the resistive elements for continuity. An ohmmeter reading made between the neutral and the ground side of the resistor should be within 10% of the nameplate value. If the resistance of the element is more than 15% off from the nameplate value, the resistors should be replaced. Any open resistors should be replaced. *COMPLETE NAMEPLATE DATA WILL BE NECESSARY TO OBTAIN REPLACEMENT PARTS.*
5. Check all internal connections for tightness. Check wiring for signs of damage from heat or overloads.
6. Vacuum any dirt or debris from the inside of the enclosure.
7. Check the enclosure for signs of damage from weather or rodents. Replace all side covers removed during inspection and check the mounting bolts for tightness.
8. *FOR REPLACEMENT PARTS OR ASSISTANCE, CALL 1-800-537-6144.*

**FOR MORE INFORMATION ABOUT
POST GLOVER RESISTORS,
OR TO PLACE AN ORDER,
CALL 1-800-537-6144**



4750 Olympic Blvd. • Erlanger, KY 41018 • USA
Phone: 800-537-6144 / 859-283-0778 • Fax: 859-283-2978
www.postglover.com

Serving the Electrical Industry Since 1892