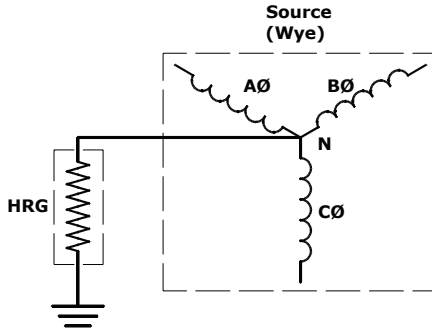


# High Resistance Grounding OEM Kit



Line to ground faults are the cause of 98% of all plant electrical failures. With increased attention industry-wide to lowering the potentially deadly effects of arcing faults, tackling the problem at its source remains the surest method of increasing your network's reliability. Downtime costs in both productivity and profits, and Post Glover's PulserPlus.Net™ keeps plants running 24/7/365.

High resistance grounding's benefits have long been recognized when compared to ungrounded or

solidly grounded systems. Post Glover's PulserPlus.Net™ is the only digital high resistance grounding system with pulsing available today. Available in an OEM kit suitable for mounting in low or medium voltage switchgear cubicles or standard MCC's, its ease of installation, top-level factory support and overall superiority make this the easy choice when the customer requires a pulsing system for complete ground protection.

Productivity Impact		System Type			
		➔			
Equipment Damage	Overvoltages	Severe	None	Limited	Unlimited
	Overcurrent - Damage at point of fault	Unknown	Severe	Minimal	None
	Maintenance Costs	High	Reasonable	Reasonable	Low
Downtime	Continuous Operation with Ground Fault	Possible but not recommended	Not possible	Not possible	Ideal
	Relay Co-ordination (Appropriate Equipment Tripped, Ease of fault location)	Difficult	Difficult	Good	Excellent
Personnel	Safety to Personnel	Poor	Good	Good	Excellent

## Features of the PulserPlus.Net™

Post Glover's fourth generation PulserPlus.Net™ is the premier digital high resistance pulsing grounding system on the market today. It has been engineered and tested to be easy to install and provide the most comprehensive feature set available. From tapped resistors wired to a terminal block to easy to use software, the most advanced HRG system available is designed for seamless integration into your system protection scheme.

### Why you should choose Post Glover

	PulserPlus.Net™	Competitors' offerings
<b>Data Logging</b>	Up to 200 alarms and events can be logged in memory with a time/date stamp to catalog system issues to assist in determining the cause of faults or trend developing faults.	Not available.
<b>Reduced Nuisance Alarms</b>	The neutral current and voltage is filtered for 60 Hz to ensure harmonic content is not included in the measurement, eliminating nuisance alarms created by excessive harmonics.	Optional.
<b>Easily Accessed Alarm Settings</b>	Engineered flexibility allows the user to accurately customize protection for their electrical network including alarm levels, time delays, and enabling or disabling features. Access is controlled by password.	Difficult to adjust.
<b>Loss of Ground Protection</b>	Continuous neutral path and resistor monitoring protects users from undetected resistor failures that can compromise safety.	Optional.
<b>Automated Charging Current Measurement and Adjustable Resistor Taps</b>	Guarantees you can select the proper fault level by measuring the system charging current after installation or upgrades. Tapped resistor allows you to easily tune your protection on-site without ordering a new system.	Not available.
<b>Ethernet Communications</b>	Real time neutral monitoring and the ability to integrate into a complete network supervision package gives you total control of your system.	Optional.



324 Governor Road • Braeside, Victoria 3195 • AUS  
 Phone: +61 (0)3 9587 4099 • Fax: +61 (0)3 9587 4130  
 www.postgloverasia.com

Quality System Certified to ISO 9001

© 2010 Post Glover Resistors, Inc.

4750 Olympic Blvd. • Erlanger, KY 41018 • USA  
 Phone: 800-537-6144 / 859-283-0778 • Fax: 859-283-2978  
 www.postglover.com

Serving the Electrical Industry Since 1892



**Post Glover**

"The Resistor Specialists"



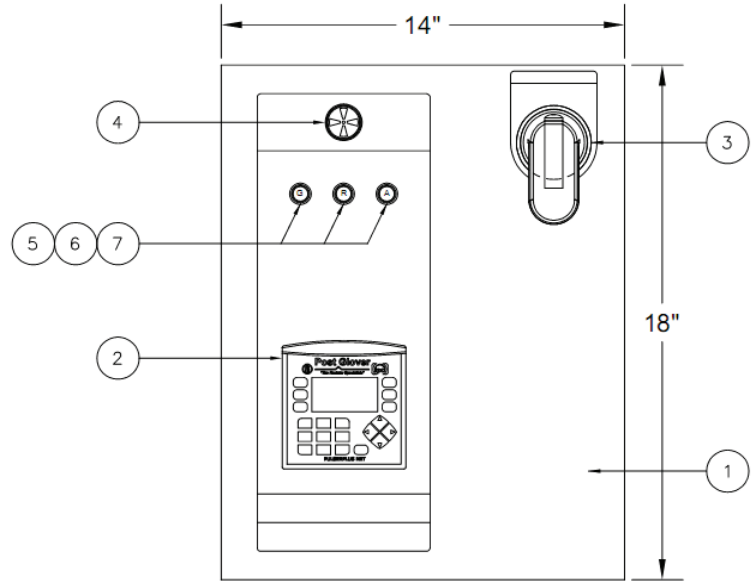
PGR Document #HR203-10

# High Resistance Grounding OEM Kit

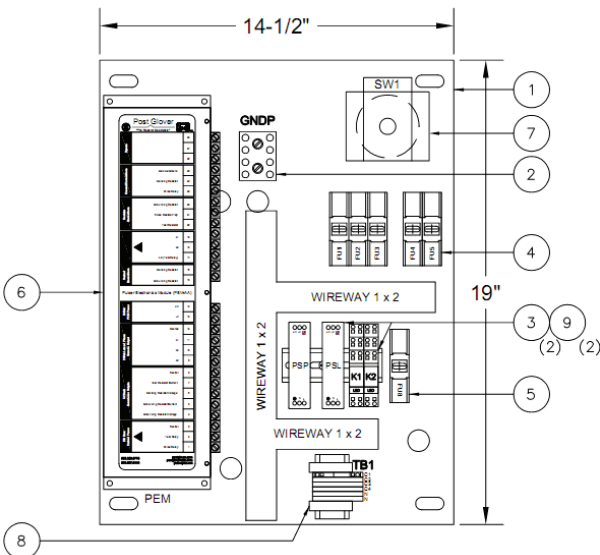
The OEM kit, designed for use at 600 volts and below, consists of three parts: a Front Control Plate, the Internal Control Plate and an enclosed resistor suitable for remote mounting.

The Front Control Plate is designed to be installed over a cut-out of dimensions 18" high by 14" wide. This is compatible with most OEM switchgear manufacturers. A rectangular shaft couples the disconnect switch handle on the Front Control Plate to the switch block on the Internal Control Plate when the cubicle door is closed. The distance between the plates is set at installation, and the shaft can be cut to length. The distance between the two plates is typically around 12".

Cabling between the display interface module and the controller is factory supplied. Custom lengths are available should they be required. All customer connections are made on the supplied terminal strip. The controller is pre-wired to the strip, simplifying installation and limiting potential mistakes.



Item	Front Panel Layout
1	Switchgear Door Cut-out Cover Plate
2	PulserPlus.Net Controller
3	Disconnect Switch Operating Handle
4	Alarm Horn
5,6,7	Pilot Lights



Item	Back Panel Layout
1	Pulser Backplate
2	Panel Ground Plate
3	Power Supply, 24 VDC
4,5	Fuseblocks
6	Pulser Electronics Module
7	Disconnect Switch
8	Terminal Block
9	Relay

The grounding resistor itself is shipped loose and suitable for mounting on top of the switchgear cabinet. Approximate resistor dimensions are 29" wide by 18" long by 29" high. The standard enclosure is NEMA 3R with a powder-coated ANSI-61 gray finish, made of mill galvanized steel. Stainless steel enclosures are also available upon request, as are open mounted units for installation inside existing cabinets.

**Save time and money using Post Glover's pre-engineered, easy to install OEM kit. As the industry's leading experts in high resistance grounding, we are constantly pushing the technology and product forward. Trust Post Glover to deliver faultlessly.**

324 Governor Road • Braeside, Victoria 3195 • AUS  
 Phone: +61 (0)3 9587 4099 • Fax: +61 (0)3 9587 4130  
 www.postgloverasia.com

4750 Olympic Blvd. • Erlanger, KY 41018 • USA  
 Phone: 800-537-6144 / 859-283-0778 • Fax: 859-283-2978  
 www.postglover.com

Quality System Certified to ISO 9001



**Post Glover**

"The Resistor Specialists"



Serving the Electrical Industry Since 1892